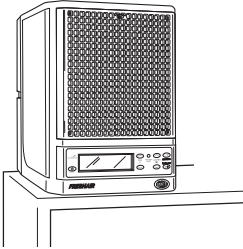


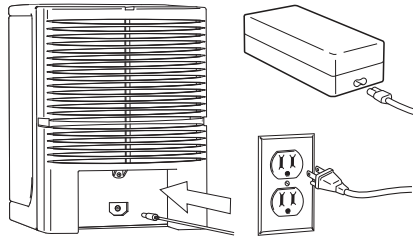
NOTE: Your FreshAir has been shipped with a Purification Plate installed.

CAUTION: Allow your FreshAir Surround to warm to room temperature before operating. Damage may result from turning on a cold unit.

1. For optimal performance, place your unit as high up as practical (on a bookcase, high shelf, or other stable surface).



2. Insert the power supply plug into the power receptacle on the rear of the unit. Plug the appropriate cord into the power supply and into a working electrical outlet.



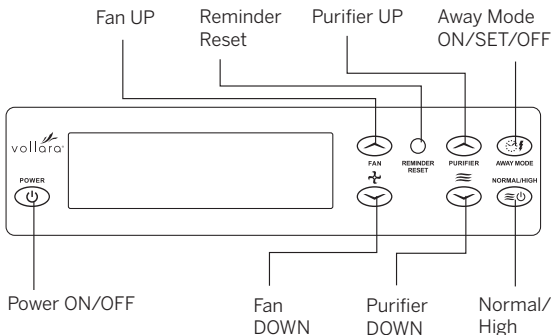
3. Put the included AAA batteries in the remote.



Battery compartment (2 AAA)

For increased smoke and odor control, set the unit to HIGH (see your owner's manual), then use the PURIFIER UP and PURIFIER DOWN buttons to adjust the purification level to its lowest setting (250ft<sup>2</sup> or 23m<sup>2</sup>). After the first 24 hours of operation, gradually adjust up to the square footage (or square meters) of the indoor area. The purifier setting should not exceed the total area of the indoor environment.

See your owner's manual before using the AWAY MODE feature.



*Refer to your owner's manual for complete set up and adjustment procedures.*

## REPLACEMENT PARTS

- A. Standard Ozone-Free ActivePure® Cell... US71090
- Ozone ActivePure® Cell ..... US70728
- B. Rear Electrostatic Screen ..... US70730
- C. Optional Pre-filter ..... US71045
- D. Purifier Plate ..... US70171
- E. Power Supply with Cords ..... 9950117
- F. Remote Control ..... 9950120

